

Regain the freedom of your home



The Acorn 120 Superglide Straight Stairlift

The Acorn Superglide Stairlift is one of the most technologically advanced stairlifts available, helping thousands of people worldwide to reclaim full access to their home. It's the safe, comfortable and simple solution to difficulty with the stairs.

Every aspect of the Acorn Superglide has been designed for the highest standards of comfort and safety. Our years of experience have helped us to create a stairlift that is built purely with the user in mind.

The Acorn Superglide is powered by a maintenance free DC power pack, which ensures your lift works even in the event of a power cut.

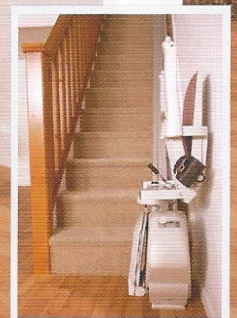
The Superglide's smooth start/stop action means just that, no sudden jerks or jolts; and the near silent motion of the lift blends unobtrusively into your home.

Another feature pioneered by Acorn is the on-board diagnostic control panel which alerts you to any potential problems before they arise, (e.g. the stairlift has accidentally been switched off or incorrectly parked).

You can rest safe in the knowledge that tens of thousands of homes worldwide have already enjoyed the Acorn experience.

Also available:

- Perch Stairlift - ideal for when the user may have trouble bending at the knee. Features ergonomic support handles for added security.
- Sit/Stand Stairlift - this model combines the features of the perch stairlift with the standard lift so that users can choose to sit or stand.
- Hinged Rail - for when a standard rail may present an obstruction to a doorway at the foot of the stairs.
- Outdoor Stairlift - fully weather-proofed for outdoor use.



Give your life a lift®

Enjoy the home you love

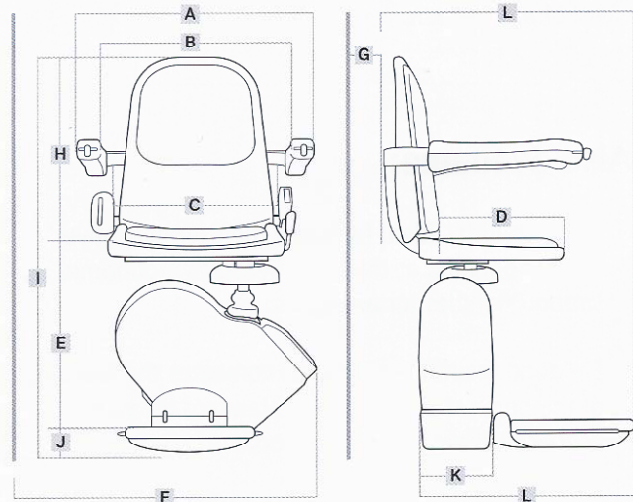
A wealth of features for your benefit



- 1 Padded seat and backrest.
- 2 Easy to use controls.
- 3 Secure safety belt.
- 4 Folding arms, footrest and seat allow easy access to the stairway.
- 5 Swivel seat - no need for twisting the body to get on and off the lift.
- 6 Lockable on/off switch allows the user to prevent others (e.g. children) from using the lift.
- 7 Diagnostic digital display informs the user of the status of the lift.
- 8 Five safety sensors on the footrest and carriage stop the lift automatically if any obstruction is encountered.
- 9 Hand-held remote controls allow users to 'call' or 'send' the lift up and down the staircase.

Dimensions

		mm	inches
A	Width outside armrests	560	22
B	Width inside armrests	445	17.5
C	Width of backrest	370	14.5
D	Depth of seat	410	16
E	Top of footrest to seat	445	17.5
F	Required space from bottom of stair	660	26
G	Wall to seat width	40	1.5
H	Overall height of seat	495	19.5
I	Overall height	1020	40
J	Footrest surface to floor	115	4.5
K	Overall depth (folded)	325	13
L	Overall depth (footrest down)	585	23



Specifications

Motor Power	0.25KW
Motor Output Speed	No greater than 0.15 m/s
Method of Drive	Rack and Pinion
Motor Output Torque	108Nm

Power Supply	24V DC (battery)
Maximum Capacity	280lbs (optional 350lbs)
Track	Extruded Aluminium
Mains Supply	120V AC, 1.5 Amp Charger



ACORN
STAIRLIFTS

Dealer Stamp

Acorn reserves the right to change specifications without notice. All measurements are approximate. Images are shown for illustrative purposes only. Product may vary slightly.